

SECTION 11110**TUMBLE DRYER, 55 LB. (24.9 KG) CAPACITY****PART 1 GENERAL**

1.01 SECTION INCLUDES:

- A. Automatic laundry dryer for processing water-washed linen items

1.02 SYSTEM DESCRIPTION

A. DESIGN REQUIREMENTS:

1. Dry weight capacity: 55 lb. (24.9 kg)
2. Cylinder volume: 17.3 cu ft (419089 cu cm) minimum
3. Construction: Heavy duty embossed steel with e-coat and baked enamel powder paint
4. Input voltage: 120/208-240/60/1
5. Heat source: Gas, natural, 1/2 inch (13 mm) NPT
6. Overall width: 34-1/2 inches (876 mm) nominal
7. Overall height: 66-3/4 inches (1695 mm) nominal
8. Overall depth: 53-5/8 inches (1362 mm) nominal
9. Exhaust size: 8 inch (203 mm)
10. Control system: Microprocessor touchpad control
11. Door: High grade stainless steel door with 7/8 inch (22 mm) rubber gasket and heavy duty hinge

B. PERFORMANCE REQUIREMENTS:

1. BTU Input: 112,000
2. Airflow: 700 CFM (19.8 CMM)
3. Motor horsepower: 1/2 hp cylinder and 1/2 hp fan
4. Control system
 - a. minimum of eight automatic drying cycles
 - b. ability to time dry
 - c. variable temperature settings from 120 - 180°F (49 - 82°C)
 - d. wrinkle free at cycle end allowing 2-1/2 minutes of tumble and 2-1/2 minutes of rest until door opens or maximum of one hour
5. Lint filter: 576 sq. inch (3716 sq. cm), self cleaning, depositing lint to large storage area at bottom of tumbler

1.03 DELIVERY, STORAGE & HANDLING

A. ACCEPTANCE AT SITE:

1. Inspect machine for damage prior to acceptance. If damage is found, follow freight handler's procedure for claims.

B. STORAGE & PROTECTION

1. Machine should be stored in a site protected from weather, direct sunlight & temperature extremes. Do not remove packaging prior to storage.

2. If machine is to be stored for an extended period of time, consult manufacturer for special requirements.

1.04 WARRANTY

- A. Warranty Period: Three years, limited, parts only, commencing on Date of Substantial completion

1.05 SYSTEM STARTUP & COMMISSIONING

- A. Machine installation should be inspected by local manufacturer's representative prior to startup & operation. The party installing the machine is responsible for setting the schedule for this inspection.

PART 2 PRODUCTS

- A. Source quality
- B. Alliance Laundry Systems LLC - UniMac, obtain commercial laundry equipment from a single manufacturer

1.02 QUALIFIED MODELS

- A. UniMac model **UT055NOM** (no substitutions permitted)

PART 3 EXECUTION

1.01 INSTALLATION

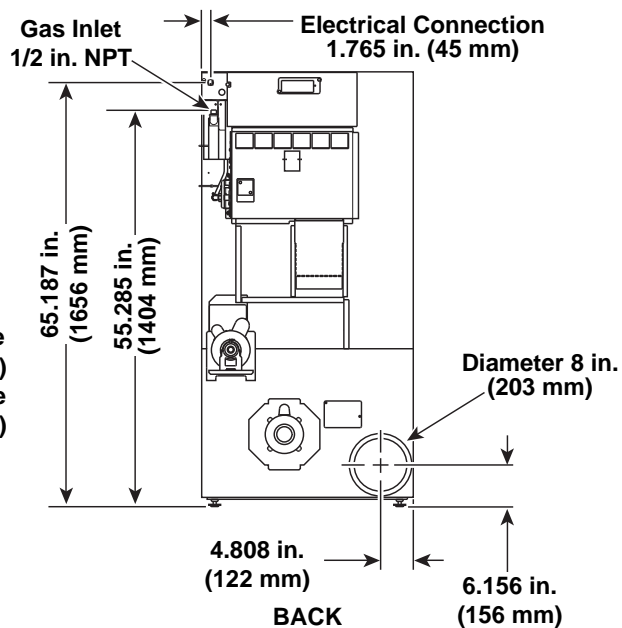
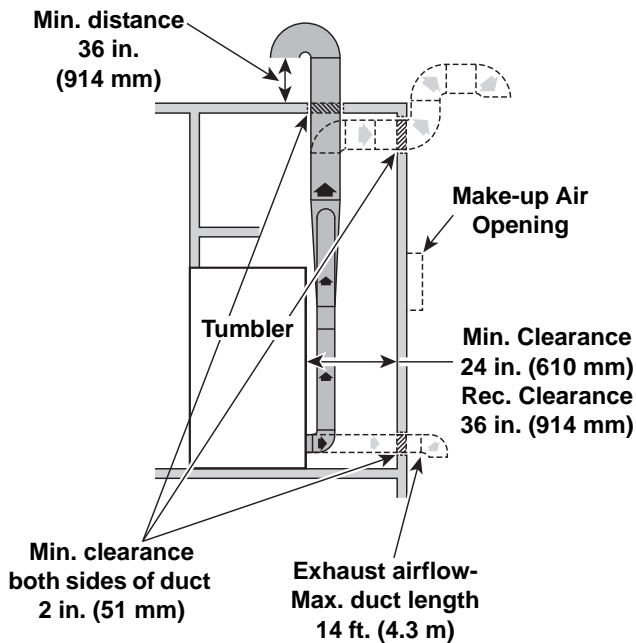
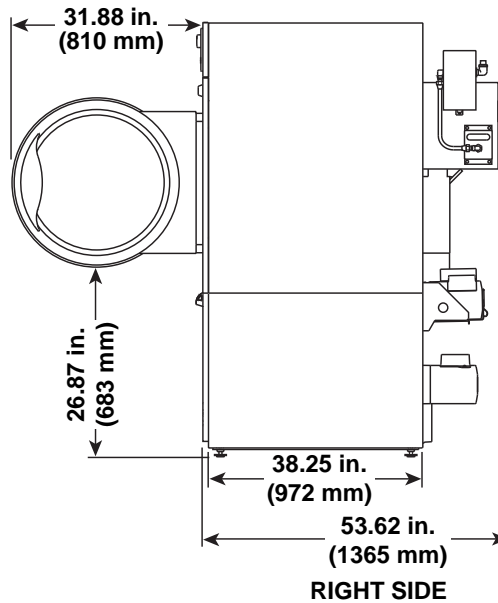
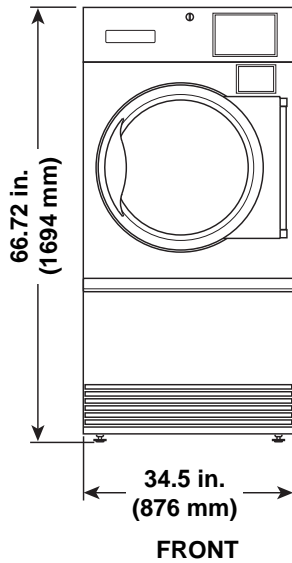
- A. Refer to & comply with manufacturer's installation instructions. Do not deviate without permission from site owner, architect, general contractor & manufacturer's local representative.



Machine Dimensions and Specifications

Models UT055L and UT055N

Dimensions



TMB28F

Specifications

Net Weight	435 lbs.
Make-up Air Opening	144 sq. in.
Maximum Airflow per Pocket: C.F.M.	700
Maximum Static Back Pressure: Inches W.C.	0.6
Gas Burner Rating:	112,000 Btu/hr

Electrical Specifications

Code	Voltage	Cycle	Phase	Wire	Full Load Amps	Fuse or Breaker Rating (Amps)	Breaker Poles	AWG
B2	120	60	1	2/3	9.2	15	1	14
F6	200-208, 240	60	3	3	4.0	10*	3	14
G2	208-240	60	1	2/3	6.5	10	2	14

* 3 Phase machines should not have fuses, breakers only.